

# PD8000, PD5000 MORTISE LOCKS & PD2000 TWISTLOCK with Flush Pulls for Pocket Doors



PD8000 with FH27 Linear Flush Pull



PD8000 with FH31 Regal Flush Pull



PD5000 with FH22 Luna Flush Pull



PD2000 TwistLock™ Edge-Pull Privacy Lock

# FH17 BEZEL FLUSH PULL

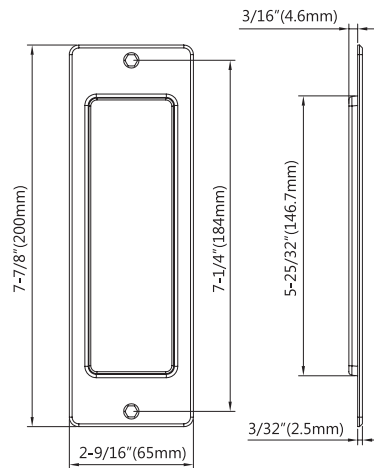
PD8000/PD5000 for Sliding or Pocket Doors



## SPECIFICATIONS

<b>Standard Door Thickness</b>	1-3/8" to 1-3/4" (35mm to 45mm) Thick Door Kits available
<b>Backset</b>	2-3/4" (70mm), 2-1/2" (63.5mm) and 2" (50.8mm)
<b>Handing</b>	Non-Handed
<b>Thumbturn Spindle</b>	5x5mm square
<b>Deadbolt</b>	1" (25.4mm) for 2-3/4" or 2-1/2" backset 3/4" (19mm) for 2" backset
<b>Cylinder</b>	Schlage C keyway 5 pin mortise cylinder with 2 keys (KD). Keying services available; order separately
<b>Material</b>	Stainless Steel/Brass

## DIMENSIONS



## TRIM OPTIONS



**FH1700**  
Flush Pull Only



**FH1792**  
Flush Pull with TT09  
Thumbturn



**FH1704**  
Flush Pull with  
Thumbturn Release



**FH1703**  
Flush Pull with  
Cylinder Hole

# FH27 / FH27SL LINEAR FLUSH PULL

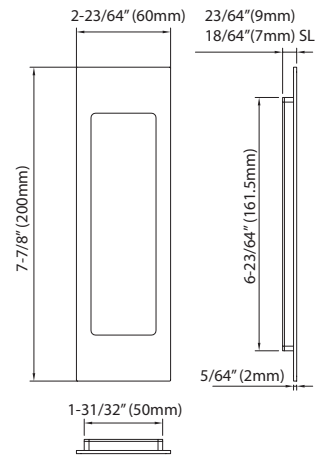
PD8000/PD5000 for Sliding or Pocket Doors



## SPECIFICATIONS

<b>Standard Door Thickness</b>	1-3/4" (45mm) Thick Door Kits available
<b>Backset</b>	2-3/4" (70mm), 2-1/2" (63.5mm) and 2" (50.8mm)
<b>Slim Trim</b>	Slim Trim (FH27SL) available for 1-3/8" (35mm) doors
<b>Handing</b>	Non-Handed
<b>Thumbturn Spindle</b>	5x5mm square
<b>Deadbolt</b>	1" (25.4mm) for 2-3/4" or 2-1/2" backset 3/4" (19mm) for 2" backset
<b>Cylinder</b>	Schlage C keyway 5 pin mortise cylinder with 2 keys (KD). Keying services available; order separately
<b>Material</b>	Stainless Steel/Brass

## DIMENSIONS



## TRIM OPTIONS



**FH2700 FH2700SL**  
Flush Pull Only



**FH2792 FH2792SL**  
Flush Pull with TT09  
Thumbturn



**FH2704 FH2704SL**  
Flush Pull with  
Thumbturn Release



**FH2703\***  
Flush Pull with  
Cylinder Hole  
**FH2782\***  
Flush Pull with  
TT08 Thumbturn  
\* Not available with SL

# FH29 ARC FLUSH PULL

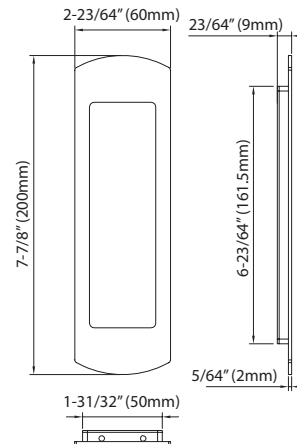
PD8000/PD5000 for Sliding or Pocket Doors



## SPECIFICATIONS

<b>Standard Door Thickness</b>	1-3/4" (45mm) Thick Door Kits available
<b>Backset</b>	2-3/4" (70mm), 2-1/2" (63.5mm) and 2" (50.8mm)
<b>Handing</b>	Non-Handed
<b>Thumbturn Spindle</b>	5x5mm square
<b>Deadbolt</b>	1" (25.4mm) for 2-3/4" or 2-1/2" backset 3/4" (19mm) for 2" backset
<b>Cylinder</b>	Schlage C keyway 5 pin mortise cylinder with 2 keys (KD). Keying services available; order separately
<b>Material</b>	Stainless Steel/Brass

## DIMENSIONS



## TRIM OPTIONS



**FH2900**  
Flush Pull Only



**FH2992**  
Flush Pull with TT09  
Thumbturn



**FH2904**  
Flush Pull with  
Thumbturn Release



**FH2903**  
Flush Pull with  
Cylinder Hole



**FH2982**  
Flush Pull with  
TT08 Thumbturn

# FH31 REGAL FLUSH PULL

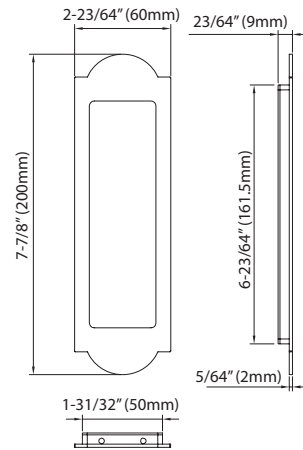
PD8000/PD5000 for Sliding or Pocket Doors



## SPECIFICATIONS

<b>Standard Door Thickness</b>	1-3/4" (45mm) Thick Door Kits available
<b>Backset</b>	2-3/4" (70mm), 2-1/2" (63.5mm) and 2" (50.8mm)
<b>Handing</b>	Non-Handed
<b>Thumbturn Spindle</b>	5x5mm square
<b>Deadbolt</b>	1" (25.4mm) for 2-3/4" or 2-1/2" backset 3/4" (19mm) for 2" backset
<b>Cylinder</b>	Schlage C keyway 5 pin mortise cylinder with 2 keys (KD). Keying services available; order separately
<b>Material</b>	Stainless Steel/Brass

## DIMENSIONS



## TRIM OPTIONS



**FH3100**  
Flush Pull Only



**FH3103**  
Flush Pull  
with Cylinder Hole



**FH3182**  
Flush Pull with  
TT08 Thumbturn



**FH3192**  
Flush Pull with  
TT09 Thumbturn



**FH3104**  
Flush Pull with  
Thumbturn Release

# FH32 CROWN FLUSH PULL

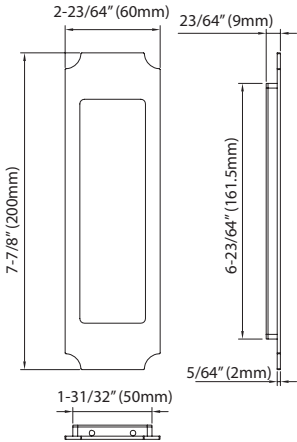
PD8000/PD5000 for Sliding or Pocket Doors



## SPECIFICATIONS

<b>Standard Door Thickness</b>	1-3/4" (45mm) Thick Door Kits available
<b>Backset</b>	2-3/4" (70mm), 2-1/2" (63.5mm) and 2" (50.8mm)
<b>Handing</b>	Non-Handed
<b>Thumbturn Spindle</b>	5x5mm square
<b>Deadbolt</b>	1" (25.4mm) for 2-3/4" or 2-1/2" backset 3/4" (19mm) for 2" backset
<b>Cylinder</b>	Schlage C keyway 5 pin mortise cylinder with 2 keys (KD). Keying services available; order separately
<b>Material</b>	Stainless Steel/Brass

## DIMENSIONS



## TRIM OPTIONS



**FH3200**  
Flush Pull Only



**FH3203**  
Flush Pull  
with Cylinder Hole



**FH3282**  
Flush Pull with  
TT08 Thumbturn



**FH3292**  
Flush Pull with  
TT09 Thumbturn



**FH3204**  
Flush Pull with  
Thumbturn Release

# FH22 LUNA FLUSH PULL

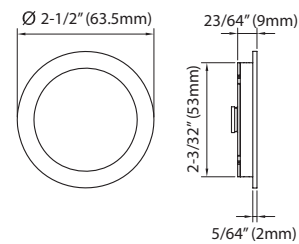
PD8000/PD5000 for Sliding or Pocket Doors



## SPECIFICATIONS

<b>Standard Door Thickness</b>	1-3/4" (45mm) Thick Door Kits available
<b>Backset</b>	2-3/4" (70mm), 2-1/2" (63.5mm) and 2" (50.8mm)
<b>Handing</b>	Non-Handed
<b>Thumbturn Spindle</b>	5x5mm square
<b>Deadbolt</b>	1" (25.4mm) for 2-3/4" or 2-1/2" backset 3/4" (19mm) for 2" backset
<b>Cylinder</b>	Schlage C keyway 5 pin mortise cylinder with 2 keys (KD). Keying services available; order separately
<b>Material</b>	Stainless Steel/Brass

## DIMENSIONS



## TRIM OPTIONS



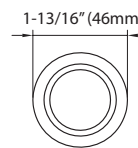
**FH2200**  
Flush Pull Only



**FH2204**  
Flush Pull with  
Thumbturn Release



**FH2203\***  
Flush Pull with  
Cylinder Hole



**FH2282\***  
Flush Pull with  
TT08 Thumbturn

\* Not available with CF

# FH22CF LUNA CONCEALED FIXING FLUSH PULL

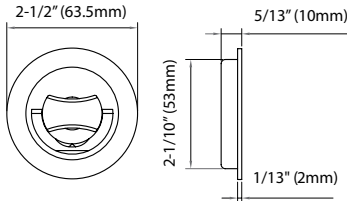
PD8000/PD5000 for 1-3/8" or thicker Sliding or Pocket Doors



### SPECIFICATIONS

<b>Standard Door Thickness</b>	1-3/8" (35mm) & 1-3/4" (45mm) Thick Door Kits available
<b>Backset</b>	2-3/4" (70mm), 2-1/2" (63.5mm) and 2" (50.8mm)
<b>Handing</b>	Non-Handed
<b>Thumbturn Spindle</b>	5x5mm square
<b>Deadbolt</b>	1" (25.4mm) for 2-3/4" or 2-1/2" backset 3/4" (19mm) for 2" backset
<b>Material</b>	Stainless Steel

### DIMENSIONS



### TRIM OPTIONS



**FH2200CF**  
Flush Pull Only



**FH2204CF**  
Flush Pull with  
Thumbturn Release



**FH2262CF**  
Flush Pull with  
TT06 Thumbturn

# FH23 URBAN FLUSH PULL

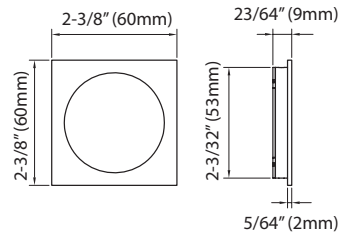
PD8000/PD5000 for Sliding or Pocket Doors



## SPECIFICATIONS

<b>Standard Door Thickness</b>	1-3/4" (45mm) Thick Door Kits available
<b>Backset</b>	2-3/4" (70mm), 2-1/2" (63.5mm) and 2" (50.8mm)
<b>Handing</b>	Non-Handed
<b>Thumbturn Spindle</b>	5x5mm square
<b>Deadbolt</b>	1" (25.4mm) for 2-3/4" or 2-1/2" backset 3/4" (19mm) for 2" backset
<b>Cylinder</b>	Schlage C keyway 5 pin mortise cylinder with 2 keys (KD). Keying services available; order separately
<b>Material</b>	Stainless Steel/Brass

## DIMENSIONS



## TRIM OPTIONS



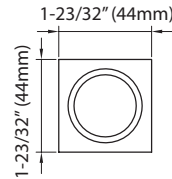
**FH2300**  
Flush Pull Only



**FH2304**  
Flush Pull with  
Thumbturn Release



**FH2303\***  
Flush Pull with  
Cylinder Hole



**FH2382\***  
Flush Pull with  
TT08 Thumbturn

\* Not available with CF

# FH23CF URBAN CONCEALED FIXING FLUSH PULLS

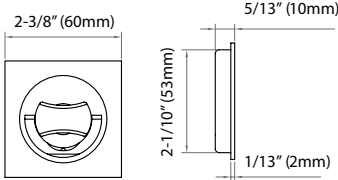
PD8000/PD5000 for 1-3/8" or thicker Sliding or Pocket Doors



## SPECIFICATIONS

<b>Standard Door Thickness</b>	1-3/8" (35mm) & 1-3/4" (45mm) Thick Door Kits available
<b>Backset</b>	2-3/4" (70mm), 2-1/2" (63.5mm) and 2" (50.8mm)
<b>Handing</b>	Non-Handed
<b>Thumbturn Spindle</b>	5x5mm square
<b>Deadbolt</b>	1" (25.4mm) for 2-3/4" or 2-1/2" backset 3/4" (19mm) for 2" backset
<b>Material</b>	Stainless Steel

## DIMENSIONS



## TRIM OPTIONS



**FH2300**  
Flush Pull Only



**FH2362CF**  
Flush Pull with  
Thumbturn



**FH2304CF**  
Flush Pull with  
Thumbturn Release