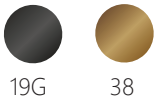


## Art Deco Flush Pull

### FH25 X PD5000 SERIES

Designed to complement the Art Deco collection, this flush pull combines refined geometric styling with durable, precision-crafted performance. Engineered for seamless integration with INOX door hardware, it delivers a sophisticated architectural solution for luxury residential and hospitality applications.

#### FINISHES



19G

38

#### ITEM CODES

**FH25PD5010-FINISH**  
**FH25PD5010A-FINISH**  
**FH25PD5010B-FINISH**  
**FH25PD5215-FINISH**  
**FH25PD5215A-FINISH**  
**FH25PD5215B-FINISH**  
**FH25PD5340-FINISH**  
**FH25PD5340A-FINISH**  
**FH25PD5340B-FINISH**  
**FH25PD5360-FINISH**  
**FH25PD5360A-FINISH**  
**FH25PD5360B-FINISH**



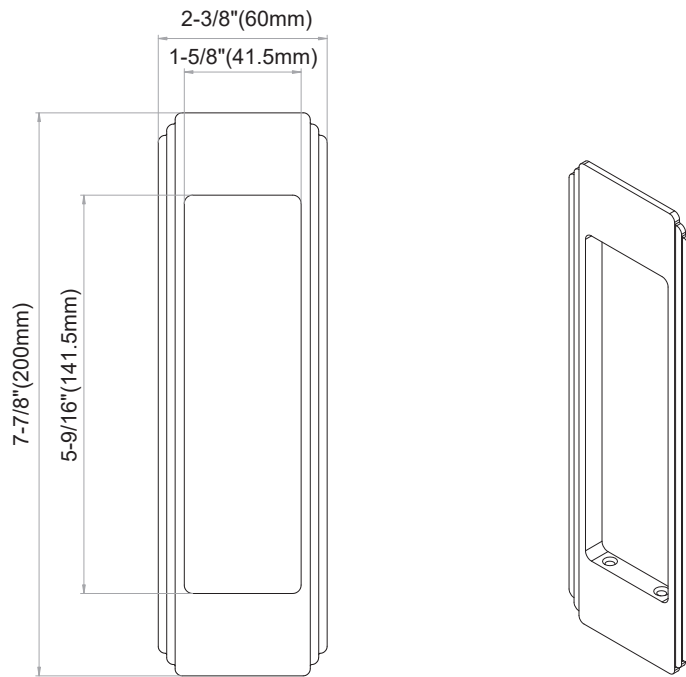
#### FEATURES

- Art Deco-inspired design with clean, stepped geometry
- Flush pull configuration for a sleek, minimal look
- Designed for sliding and pocket door applications
- Precision-machined for smooth operation and reliable performance
- Non-handed for flexible installation
- Multiple trim options including thumbturn and release
- Solid brass construction for durability
- Premium finishes: 38 Aged Brass and 19G Graphite Black
- Suitable for residential and commercial use

#### SPECIFICATIONS

Door Thickness	1-3/4" (44mm) standard Thick Door Kits available
Backset	2-3/4" (70mm), 2-1/2" (63.5mm) and 2" (50.8mm)
Handing	Non-Handed
Deadbolt	1" (25.4mm) for 2-3/4" or 2-1/2" backset 3/4" (19mm) for 2" backset
Lockcase	Heavy Gauge Steel
Deadbolt & Edge Pull	Brass and Stainless Steel
Faceplate & Strike	Stainless Steel

DIMENSIONS



TRIM OPTIONS



**FH2500**  
Flush Pull Only



**FH2592**  
Flush Pull with  
TT09 Thumbturn



**FH2504**  
Flush Pull with  
Thumbturn Release



**FH2582**  
Flush Pull with  
TT08 Thumbturn

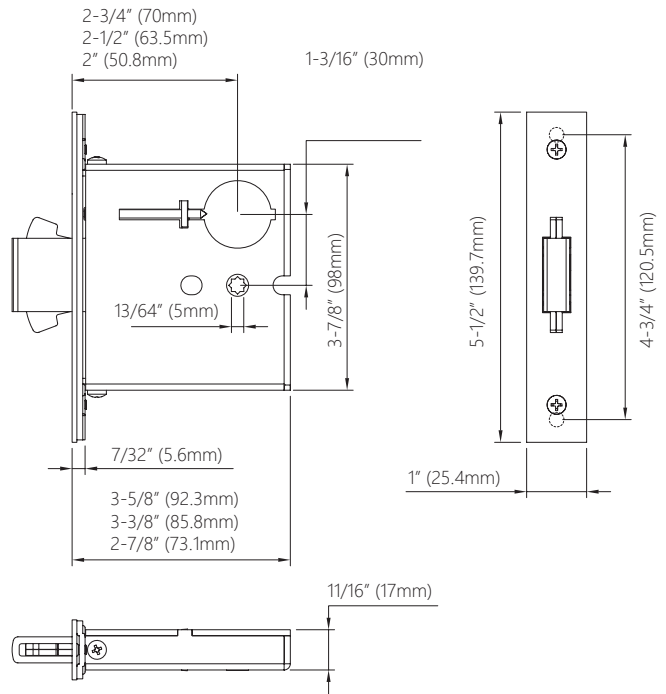
**DIMENSIONS AND COMPONENTS**



**\*PATENTED\***

Vertically Adjustable Strike

- 1 Brass deadbolt with 1" throw for 2-3/4" or 2-1/2" backset and 3/4" throw for 2" backset
- 2 Self-retracting hook with non-marring latch bolt
- 3 Stainless steel faceplate, 2mm thick
- 4 Vertically adjustable strike



**LOCK OPTIONS**



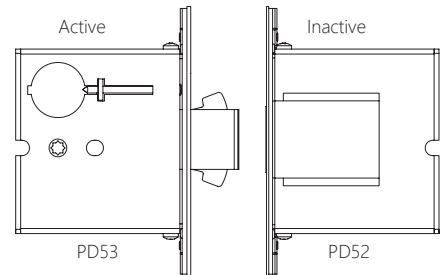
**PD50**  
(2-1/2" / 2-3/4" Backset)



**PD52**  
(2-1/2" / 2-3/4" Backset)



**PD53**  
(2-1/2" / 2-3/4" Backset)



**PD50B**  
(2" Backset)

- Lock Case with Edge Pull

**PD52B**  
(2" Backset)

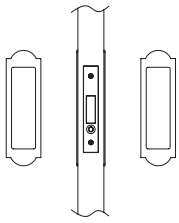
- Lockcase with built-in Dust Proof Strike for inactive pair of sliding doors
- No Edge Pull

**PD53A**  
(2-1/2" Backset)

- Lockcase with Deadbolt
- No Edge Pull

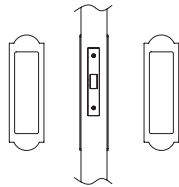
**PD53B**  
(2" Backset)

**FUNCTIONS**



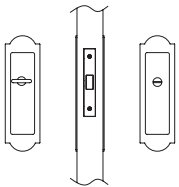
**PD5010**  
**Passage with Lockcase**

- Used as flush pull or matching trim on pairs of pocket doors
- Edge finger pull operated by push button



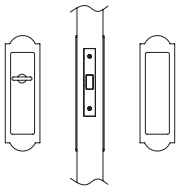
**PD5215**  
**Passage with Lockcase as Dust Proof Strike**

- Lockcase used as dust proof strike on pair of sliding doors, inactive side



**PD5340**  
**Privacy with Emergency Release**

- Deadbolt operated by inside thumbturn or outside emergency release coin turn

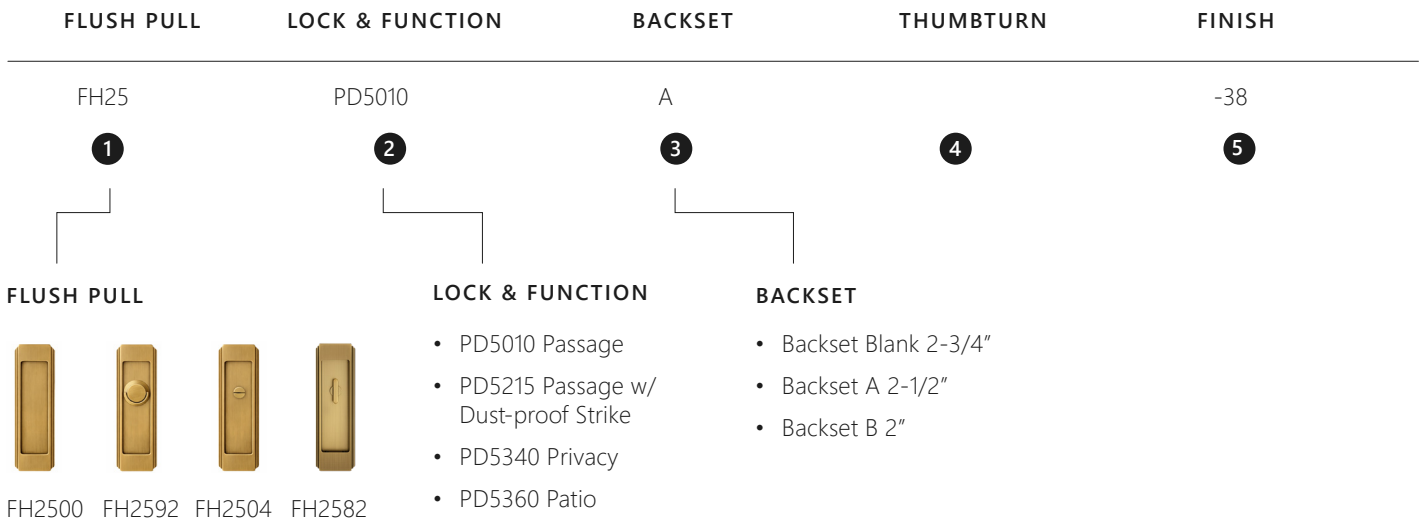


**PD5360**  
**Patio**

- Deadbolt operated by thumbturn from inside only

**HOW TO ORDER**

Use the sequence below to order or specify mortise locksets. Please see price book for parts or additional service upcharges.



- 4 THUMBTURN**
- Blank = TT08
  - TT09 = TT09

- 5 FINISHES**
- 38 Aged Brass
  - 19G Graphite Black