

Art Deco Flush Pull

FH25 X PD8000 SERIES

Designed to complement the Art Deco collection, this flush pull combines refined geometric styling with durable, precision-crafted performance. Engineered for seamless integration with INOX door hardware, it delivers a sophisticated architectural solution for luxury residential and hospitality applications.

FINISHES



19G



38

ITEM CODES

FH25PD8010-FINISH
FH25PD8010A-FINISH
FH25PD8010B-FINISH
FH25PD8115-FINISH
FH25PD8115A-FINISH
FH25PD8115B-FINISH
FH25PD8440-FINISH
FH25PD8440A-FINISH
FH25PD8440B-FINISH
FH25PD8460-FINISH
FH25PD8460A-FINISH
FH25PD8460B-FINISH



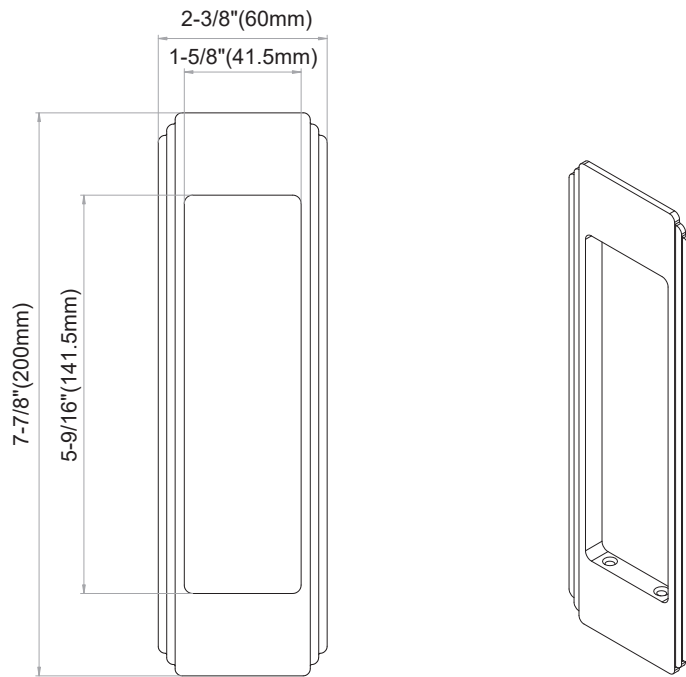
FEATURES

- Art Deco-inspired design with clean, stepped geometry
- Flush pull configuration for a sleek, minimal look
- Designed for sliding and pocket door applications
- Precision-machined for smooth operation and reliable performance
- Non-handed for flexible installation
- Multiple trim options including thumbturn and release
- Solid brass construction for durability
- Premium finishes: 38 Aged Brass and 19G Graphite Black
- Suitable for residential and commercial use

SPECIFICATIONS

| | |
|---------------------------------|---|
| Door Thickness | 1-3/4" (44mm) standard Thick Door Kits available |
| Backset | 2-3/4" (70mm), 2-1/2" (63.5mm) and 2" (50.8mm) |
| Handing | Non-Handed |
| Deadbolt | 1" (25.4mm) for 2-3/4" or 2-1/2" backset 3/4" (19mm) for 2" backset |
| Cylinder | Schlage C keyway 5 pin mortise cylinder with 2 keys (KD) |
| Lockcase | Heavy Gauge Steel |
| Deadbolt & Edge Pull | Brass and Stainless Steel |
| Faceplate & Strike | Stainless Steel |

DIMENSIONS



TRIM OPTIONS



FH2500
Flush Pull Only



FH2592
Flush Pull with
TT09 Thumbturn

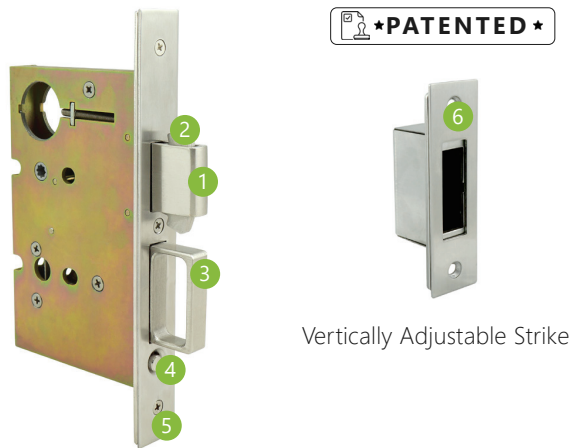


FH2504
Flush Pull with
Thumbturn Release



FH2582
Flush Pull with
TT08 Thumbturn

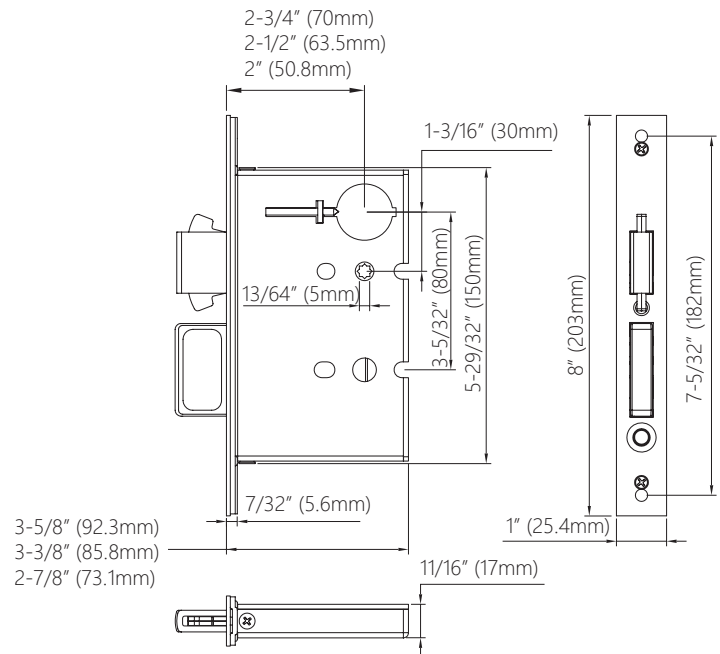
DIMENSIONS AND COMPONENTS



PATENTED

Vertically Adjustable Strike

- 1 Brass deadbolt with 1" throw for 2-3/4" or 2-1/2" backset and 3/4" throw for 2" backset
- 2 Self-retracting hook with non-marring latch bolt
- 3 Spring-loaded edge pull with unique internal sound buffer
- 4 Solid brass push button
- 5 Stainless steel faceplate, 2mm thick
- 6 Vertically adjustable strike



LOCK OPTIONS



- PD80** (2-3/4" Backset)
- PD80A** (2-1/2" Backset)
- PD80B** (2" Backset)
- Lockcase with Edge Pull for pocket door
- No Deadbolt
- No Deadbolt or Cylinder



- PD81** (2-3/4" Backset)
- PD81A** (2-1/2" Backset)
- PD81B** (2" Backset)
- Lockcase with built-in Edge Pull and Dust Proof Strike for inactive pair pocket door



- PD82** (2-3/4" Backset)
- PD82A** (2-1/2" Backset)
- PD82B** (2" Backset)
- Lockcase with built-in Dust Proof Strike for an inactive pair sliding door
- No Edge Pull

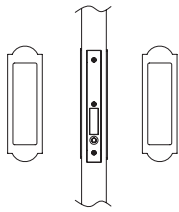


- PD83** (2-3/4" Backset)
- PD83A** (2-1/2" Backset)
- PD83B** (2" Backset)
- Lockcase with Deadbolt for sliding door
- No Edge Pull
- Less Cylinder



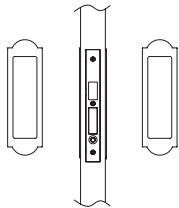
- PD84** (2-3/4" Backset)
- PD84A** (2-1/2" Backset)
- PD84B** (2" Backset)
- Lockcase with Deadbolt and Edge Pull for pocket door

FUNCTIONS



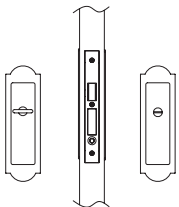
PD8010
Passage with Lockcase

- Used as flush pull or matching trim on pairs of doors
- Edge finger pull operated by push button



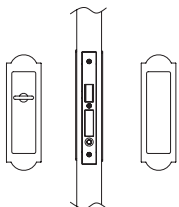
PD8115
Passage with Lockcase as Dust Proof Strike

- Lockcase used as dust proof strike on pairs of doors, inactive side
- Edge finger pull operated by push button



PD8440
Privacy with Emergency Release

- Deadbolt operated by inside thumbturn or outside emergency release coin turn
- Edge finger pull operated by push button

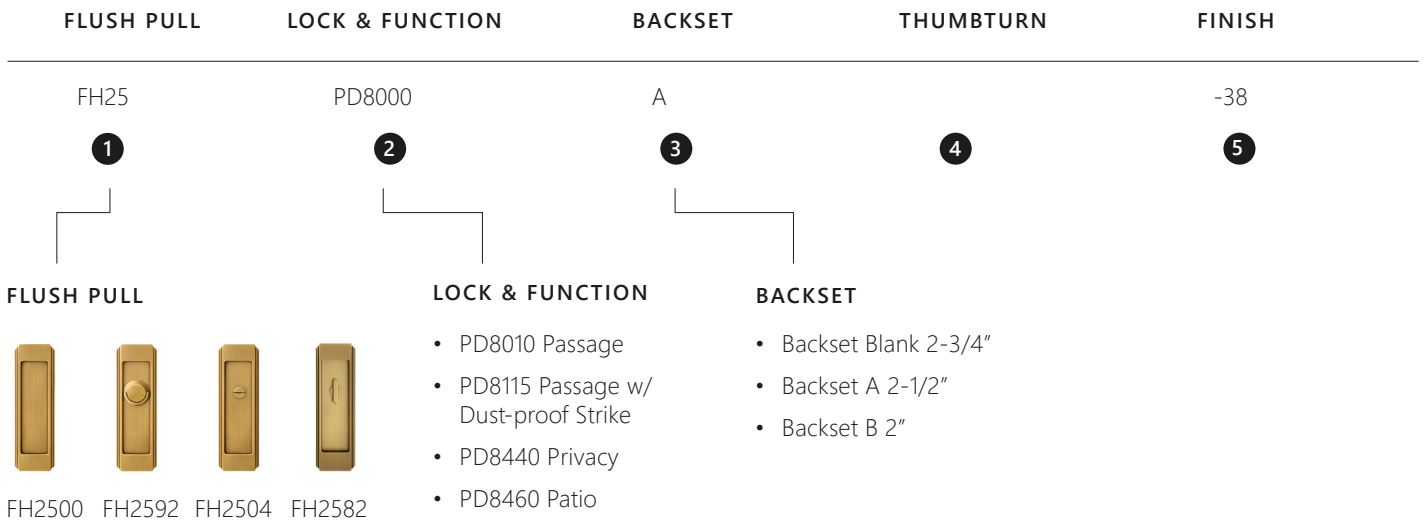


PD8460
Patio

- Deadbolt operated by thumbturn from inside only
- Edge finger pull operated by push button

HOW TO ORDER

Use the sequence below to order or specify mortise locksets. Please see price book for parts or additional service upcharges.



- 4 THUMBTURN**
- Blank = TT08
 - TT09 = TT09

- 5 FINISHES**
- 38 Aged Brass
 - 19G Graphite Black