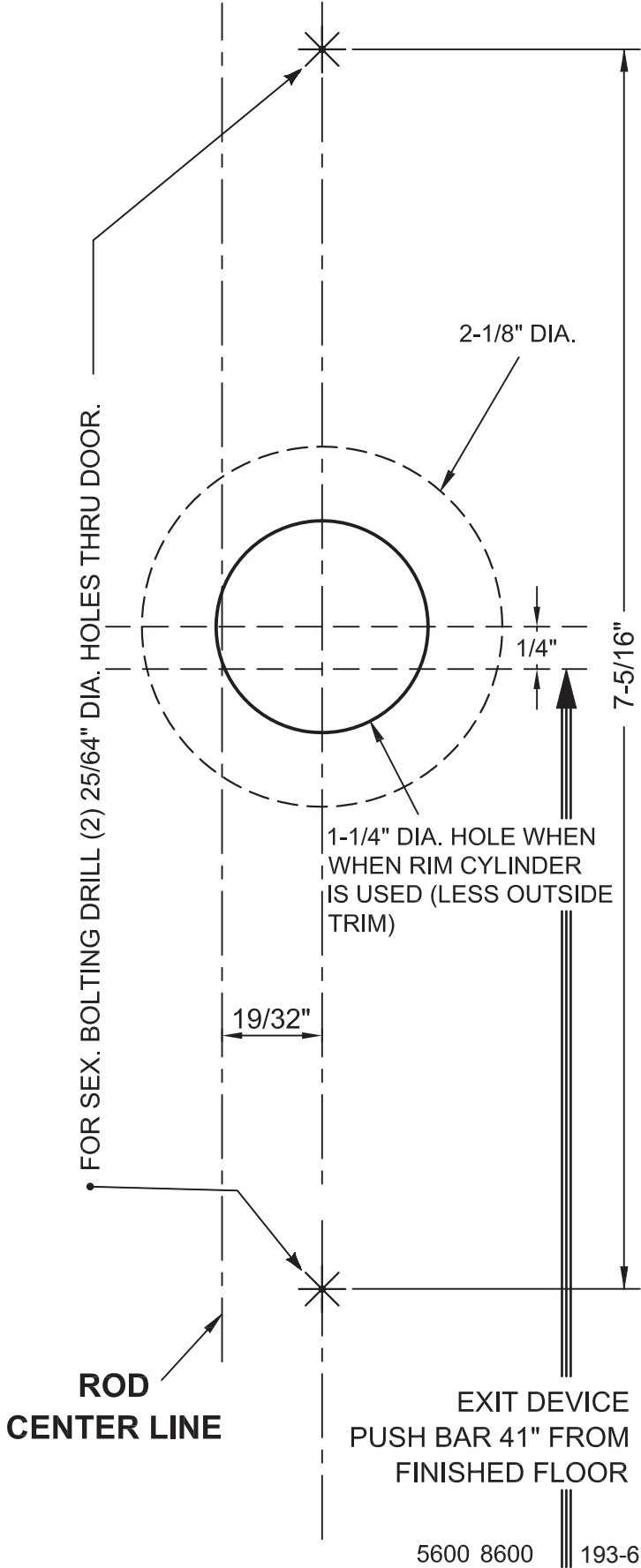


TEMPLATE

ED70-SVR VERTICAL ROD TYPE EXIT
DEVICES HOLE LOCATIONS. SIZE AND TYPE
INDICATED ON TEMPLATE

VERTICAL CENTER LINE



TEMPLATE

ED70F-SVR VERTICAL ROD TYPE EXIT
DEVICES TRIM HOLE LOCATIONS.

VERTICAL CENTER LINE

