

For Half Passage Function: L765/L775

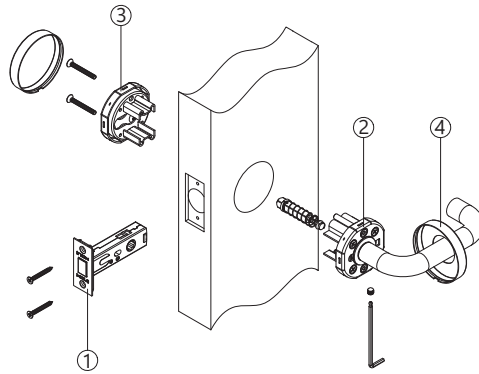
1. Install tubular latch with 2 x #8 Screws.
2. Install outside lever with 2 EA M4 x 40mm bolt sleeves.
3. Mount inside sub rose with 2 EA M4 x 35mm machine screws.

Then tighten the set screw using Allen Key.

▲ Note: For non-removable rose designs, use M4 x 35mm hexagon with Allen Key, see Section B-B.

▲ Note: Please ensure the lever is at horizontal level before tightening machine screws.

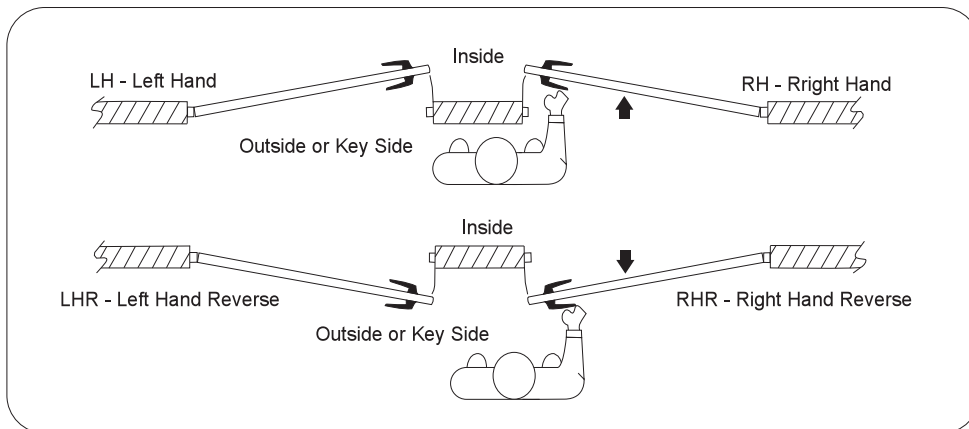
4. Mount inside and outside rose cover. For GA, mount inside rose cover only.



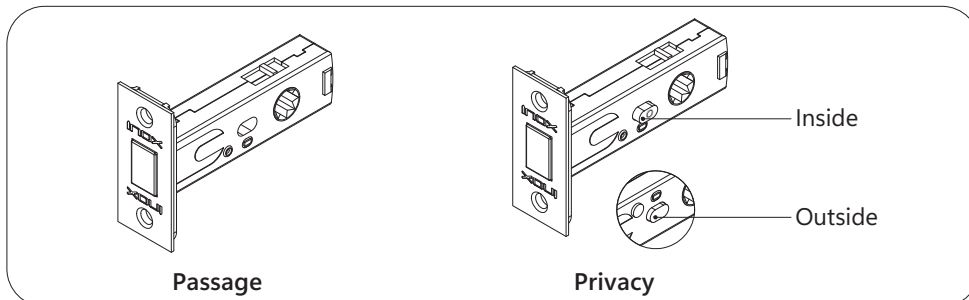
PM-ISTL7 V20260515

RA/SE/RU/SH/GT/GS/GA TL7 Magnetic Tubular Latch

Determine Door Handing and Set Lock Case Direction



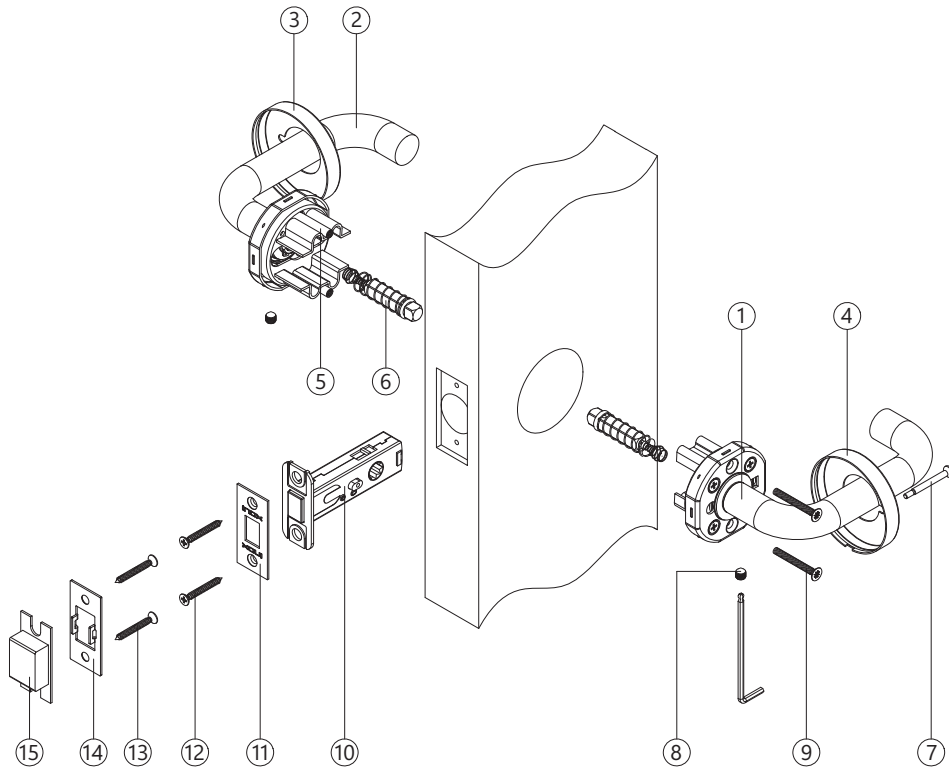
TL7 Magnetic Tubular Latch 28 degree retraction latch



Installation Instructions

Magnetic Tubular Latch

RA/SE/RU/SH/GT/GS/GA Rose with Magnetic Tubular Latch Part List

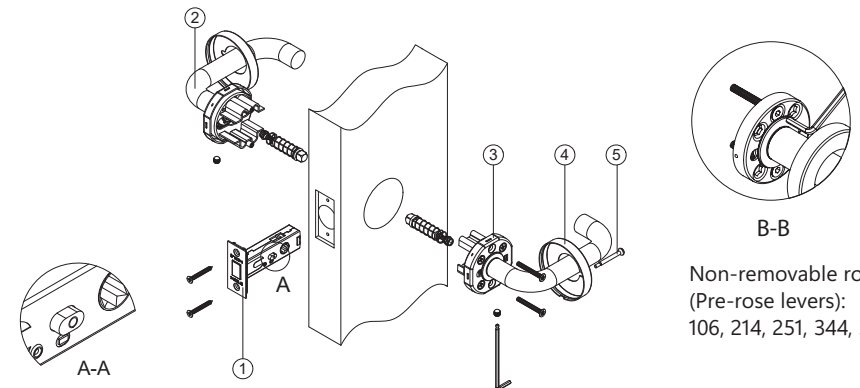
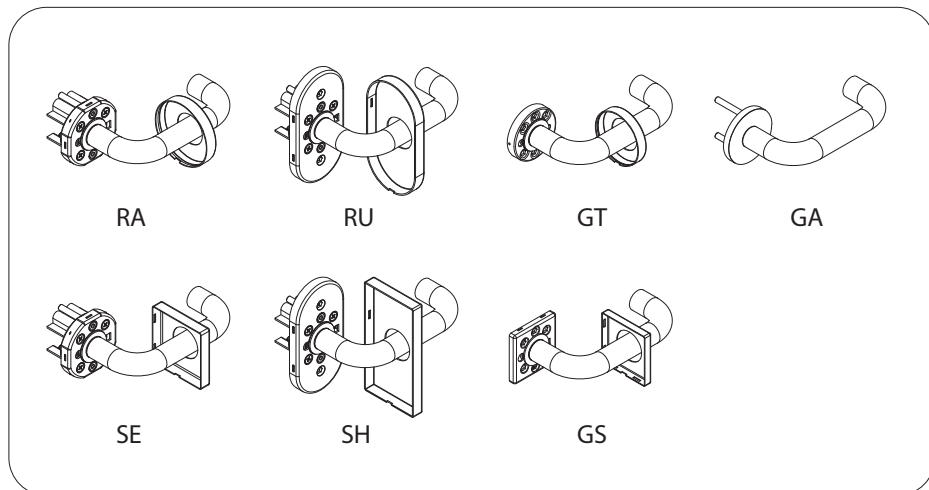


Items	No.	Parts Description	Function		
			Privacy	Passage	Half Passage
Leverset Parts	1	Rose Inside w/Lever	1 EA	1 EA	1 EA
	2	Rose Outside w/Lever	1 EA	1EA	-
	3	Outside Rose Cover	1 EA	1 EA	-
	4	Inside Rose Cover	1 EA	1 EA	1 EA
	5	M4 x 40mm Bolt Sleeves	2 EA	2 EA	2 EA
	6	8 x 1-3/4" (45mm) Spring Spindle	2 EA	2 EA	1 EA
	7	Privacy Pin	1 EA	-	-
	8	Set Screw	2 EA	2 EA	1 EA
	9	M4 x 1-3/8" (35mm) Machine Screw	2 EA	2 EA	2 EA
Locks	10	Magnetic Tubular Latch	1 EA	1 EA	1 EA
	11	Magnetic Tubular Latch Faceplate	1 EA	1 EA	1 EA
	12	8# Screws for Magnetic Tubular Latch Faceplate	2 EA	2 EA	2 EA
	13	8# Screws for Magnetic Tubular Latch Striking Plate	2 EA	2 EA	2 EA
	14	Magnetic Tubular Latch Striking Plate	1 EA	1 EA	1 EA
	15	Magnetic Tubular Latch Dust Box	1 EA	1 EA	1 EA
Others	-	Door Prep Template	1 EA	1 EA	1 EA
	-	Installation Instruction	1 EA	1 EA	1 EA

RA/SE/RU/SH/GT/GS/GA Rose with Magnetic Tubular Latch Installation Instructions:

For Passage/Privacy Function: L761/L762/L771/L772

1. Install tubular latch with 2 x #8 Screws.
 ⚠ **Note:** For privacy function, privacy pin hub with threaded hole should face inside of door – see Section A-A.
2. Install outside lever with 2 EA M4 x 40mm bolt sleeves.
3. Install inside lever with 2 EA M4 x 35mm machine screws;
 Tighten the set screw using Allen Key.
 ⚠ **Note:** For non-removable rose designs, use M4 x 35mm hexagon with Allen Key, see Section B-B.
 ⚠ **Note:** Please ensure levers on both sides are at horizontal level before tightening machine screws.
4. Mount inside and outside rose cover (snap-on). For GA, mount inside rose cover only.
5. For privacy function, insert privacy pin into latch privacy pin hub (Section A-A).



Non-removable rose designs (Pre-rose levers):
 106, 214, 251, 344, 379, 380