

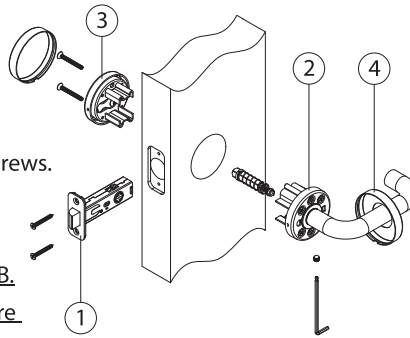
For Half Passage Function: L365/L375

1. Install tubular latch with 2 x #8 Screws.
2. Install outside lever with 2 EA M4 x 40mm bolt sleeves.
3. Mount inside sub rose with 2 EA M4 x 35mm machine screws.

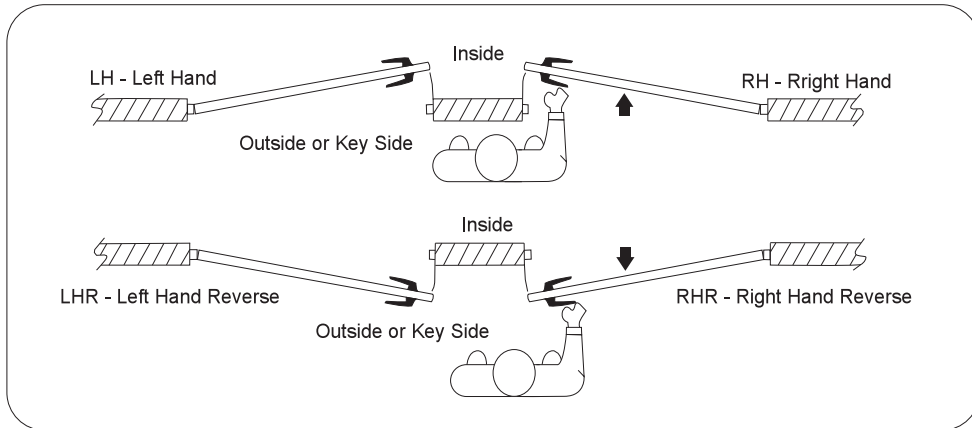
Then tighten the set screw using **allen** key.

- ▲ **Note:** For non-removable rose designs, use M4 x 35mm hexagon with **allen** key, see Section B-B.
- ▲ **Note:** Please ensure the lever is at horizontal level before tightening machine screws.

4. Mount inside and outside rose cover.

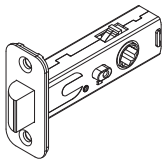


Determine Door Handing and Set Lock Case Direction

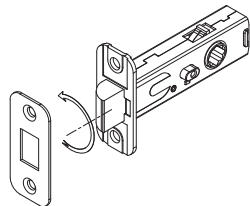


Change Latch Bolt Direction for TL3 Latch

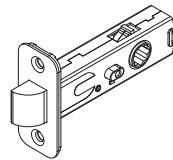
TL3 Latch
28 degree retraction latch



For Privacy Latch, Handing can be determined by the privacy pin. Privacy pin hub with threaded hole should always face inside



Ensure faceplate is removed, Latch can rotate 180° to swap handing



Once latch is handed correctly, attach the faceplate before installing in door

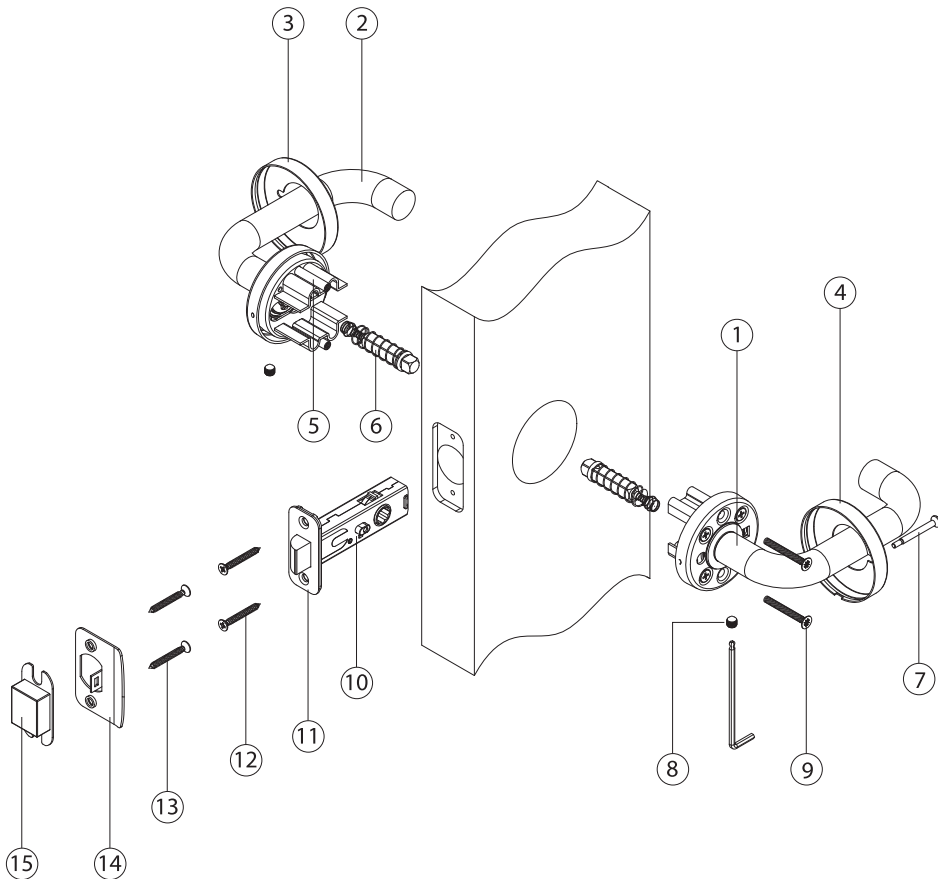


RA/SE/SH/GT/GS TL3 Tubular Latch Installation Instructions

Tubular Latch

PM-STL3-4348
V20230720

RA/SE/SH/GT/GS Rose with Tubular Latch Parts List:



Items	No.	Parts Description	Function		
			Privacy	Passage	Half Passage
Leverset Parts	1	Rose Inside w/Lever (Section A)	1 EA	1 EA	1 EA
	2	Rose Outside w/Lever (Section B)	1 EA	1EA	-
	3	Outside Rose Cover	1 EA	1 EA	-
	4	Inside Rose Cover	1 EA	1 EA	1 EA
	5	M4 x 40mm Bolt Sleeves	2 EA	2 EA	2 EA
	6	8 x 1-3/4" (45mm) Spring Spindle	2 EA	2 EA	1 EA
	7	Privacy Pin	1 EA	-	-
	8	Set Screw	2 EA	2 EA	1 EA
	9	M4 x 1-3/8" (35mm) Machine Screw	2 EA	2 EA	2 EA
Locks	10	Tubular Latch	1 EA	1 EA	1 EA
	11	Tubular Latch Faceplate	1 EA	1 EA	1 EA
	12	8# Screws for Tubular Latch Faceplate	2 EA	2 EA	2 EA
	13	8# Screws for Tubular Latch Striking Plate	2 EA	2 EA	2 EA
	14	Tubular Latch Striking Plate	1 EA	1 EA	1 EA
Others	-	Door Prep Template	1 EA	1 EA	1 EA
	-	Installation Instruction	1 EA	1 EA	1 EA

RA/SE/GT/GS/SH Rose with Tubular Latch Installation Instructions:

For Passage/Privacy Function: L361/L362/L371/L372

1. Install tubular latch with 2 x #8 Screws.

▲ Note: For privacy, privacy pin hub with thread facing inside of door - see Section A-A

2. Install outside lever with 2 EA M4 x 40mm bolt sleeves.

3. Install inside lever with 2 EA M4 x 35mm machine screws;

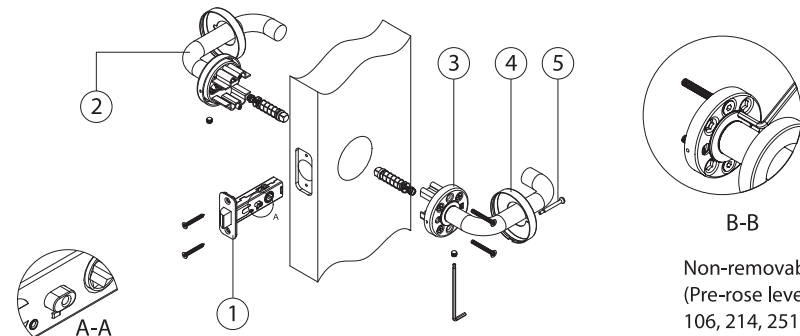
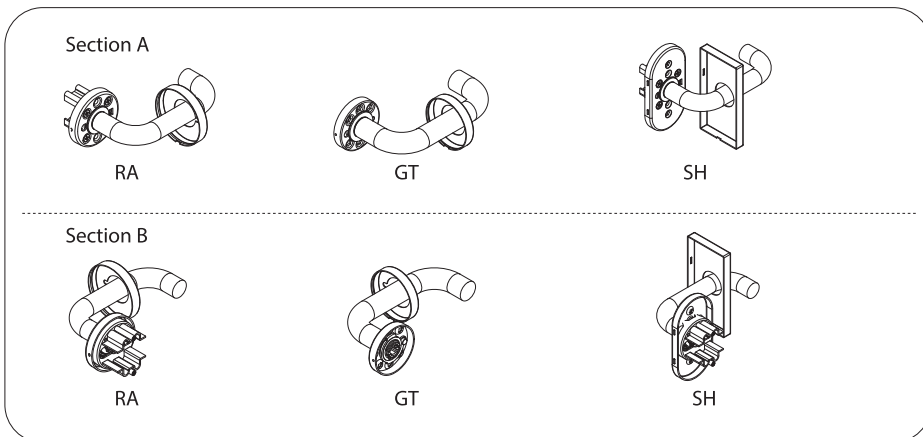
Then tightening the set screw using allen key.

▲ Note: For non-removable rose designs, use M4 x 35mm hexagon with allen key, see Section B-B.

▲ Note: Please ensure levers on both sides are at horizontal level before tightening machine screws.

4. Mount inside and outside rose cover (snap-on)

5. For privacy function, insert privacy pin into latch privacy pin hub (Section A-A).



B-B
Non-removable rose designs
(Pre-rose levers):
106, 214, 251, 344, 379